

KLEIS

Antalya

Elias Segui



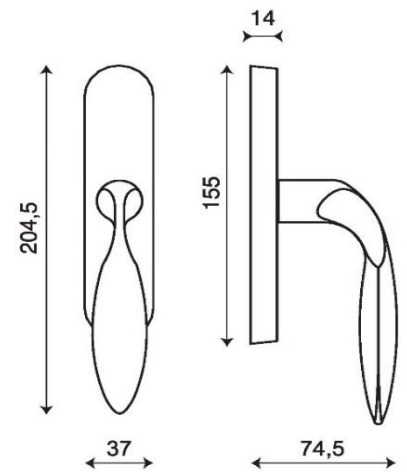
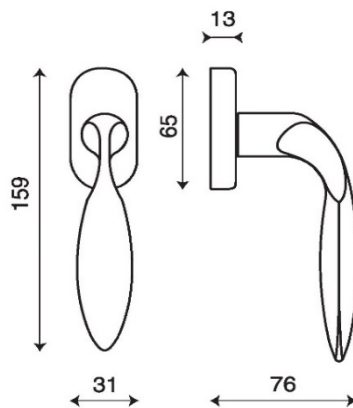
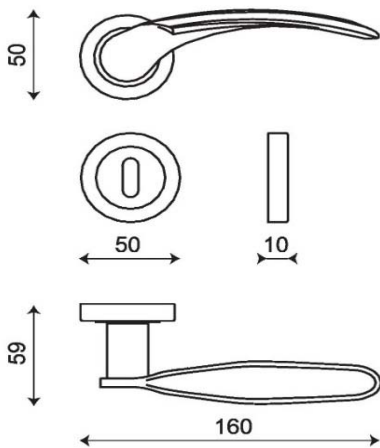
Bi-Oro - Pol.&Sat.Brass - Messing Pol&Mat - Laiton poli&satinè



Cromo satinato - Satin chrome - Mat chrome + Chrom satiné



Bi-Cromo - Pol.&Sat.Chrome - Chrom Pol&Mat - Chrome poli&satinè



Articolo / Product Model / Article	K00A	Catalogo / Catalogue Katalog / Catalogue	Antalya	Materiale / Material Material / Matériel	Ottone - Brass - Messing - Laiton
Set A	Set B	Set C	Set D	Set E	Set F Set G

Made in Italy